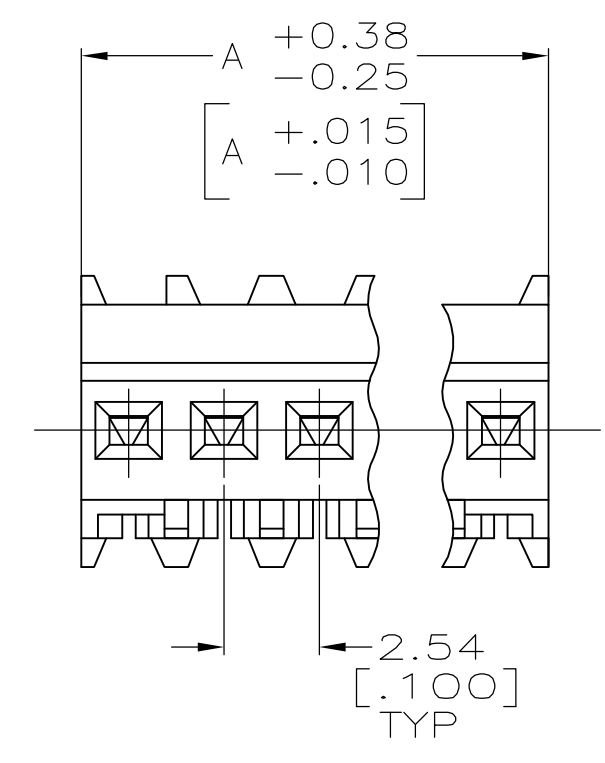
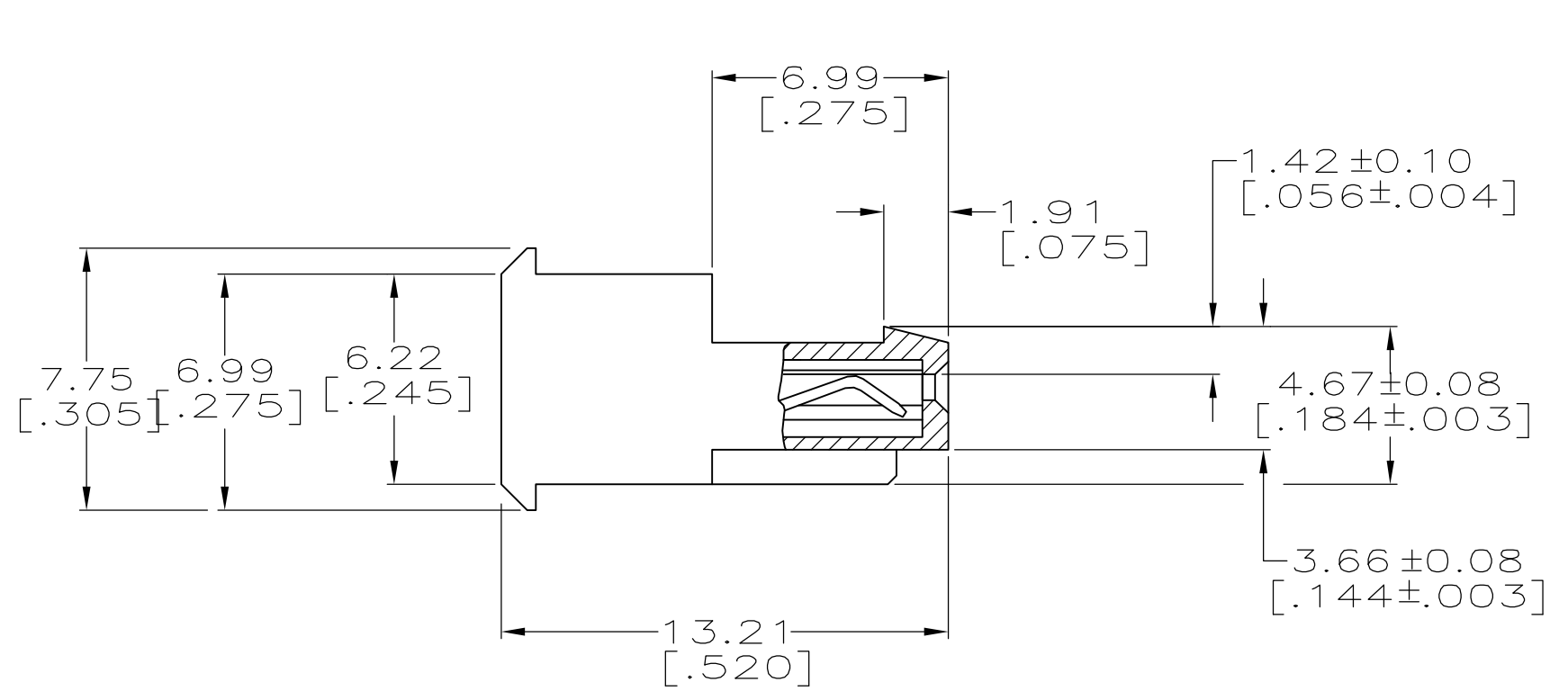
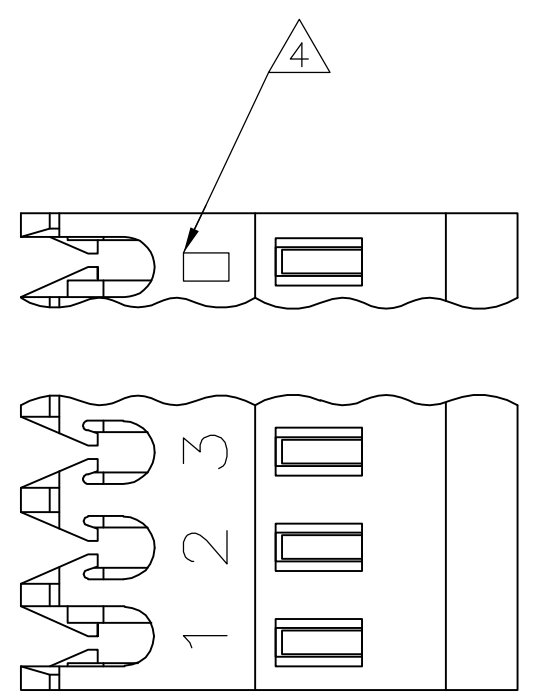


THIS DRAWING IS UNPUBLISHED. RELEASED FOR PUBLICATION
 © COPYRIGHT BY TYCO ELECTRONICS CORPORATION. ALL RIGHTS RESERVED.

LOC	DIST	REVISIONS					
		P	LTR	DESCRIPTION	DATE	DWN	APVD
CM	00	B		REVISION PER ECO-07-003728	23FEB07	KW	DB



1 MATERIAL: CONNECTOR-NYLON UL94V-0 (BLACK).
 CONTACTS-0.30 [.012] THICK COPPER ALLOY
 BRIGHT TIN-LEAD 0.00203 [.000080] MIN THICK FOR CONTACTS
 644577-2 THRU 1-644577-5
 MATTE WHISKER MITIGATED TIN PLATE 0.00203 [.000080] MIN THICK
 OVER 0.00076 [.000030] MIN THICK NICKEL FOR CONTACTS
 3-644577-2 THRU 4-644577-5.

- 2. CONTACTS ACCEPT 26 AWG WIRE WITH 1.52 [.060] MAX INSULATION DIAMETER.
- 3. CONTACTS MUST ACCEPT 0.64±0.03 [.025±.001] SQUARE POST AND REMAIN LOCKED IN POSITION.
- 4 IDENTIFICATION NUMBER FOR LAST CIRCUIT MAY NOT APPEAR ON ALL ASSEMBLIES.
- 5. DIMENSIONS IN BRACKETS ARE IN INCHES.
- 6. HOUSING FEATURES ARE: FEED THRU WITH LOCKING RAMP.

METRIC

LEAD	FREE			
	DIM A	NO. OF POSN	ASSEMBLY	
38.10	[1.500]	15	4-644577-5	
35.56	[1.400]	14	4-644577-4	
33.02	[1.300]	13	4-644577-3	
30.48	[1.200]	12	4-644577-2	
27.94	[1.100]	11	4-644577-1	
25.40	[1.000]	10	4-644577-0	
22.86	[.900]	9	3-644577-9	
20.32	[.800]	8	3-644577-8	
17.78	[.700]	7	3-644577-7	
15.24	[.600]	6	3-644577-6	
12.70	[.500]	5	3-644577-5	
10.16	[.400]	4	3-644577-4	
7.62	[.300]	3	3-644577-3	
5.08	[.200]	2	3-644577-2	
CONTAINS LEAD	38.10	[1.500]	15	1-644577-5
	35.56	[1.400]	14	1-644577-4
	33.02	[1.300]	13	1-644577-3
	30.48	[1.200]	12	1-644577-2
	27.94	[1.100]	11	1-644577-1
	25.40	[1.000]	10	1-644577-0
	22.86	[.900]	9	644577-9
	20.32	[.800]	8	644577-8
	17.78	[.700]	7	644577-7
	15.24	[.600]	6	644577-6
	12.70	[.500]	5	644577-5
	10.16	[.400]	4	644577-4
	7.62	[.300]	3	644577-3
5.08	[.200]	2	644577-2	
DIM A	NO. OF POSN	ASSEMBLY		

THIS DRAWING IS A CONTROLLED DOCUMENT.

DIMENSIONS: mm [INCHES]	TOLERANCES UNLESS OTHERWISE SPECIFIED:	DWN S. HOOVER 03-DEC-2004	Tyco Electronics Corporation Harrisburg, Pa 17105-3608
0 PLC ±	± 0.13 [.005]	CHK D. BOSSI 03-DEC-2004	
1 PLC ±	±	APVD D. BOSSI 03-DEC-2004	NAME
2 PLC ±	±		MTA .100 CONNECTOR ASSEMBLY
3 PLC ±	±		26 AWG, BLACK UL94V-0, SPECIAL
4 PLC ANGLES ±	±		SIZE CAGE CODE DRAWING NO
MATERIAL 1	FINISH 1	PRODUCT SPEC 108-1019	A2 00779 C=644577
		APPLICATION SPEC 114-1050	RESTRICTED TO
		WEIGHT	CUSTOMER DRAWING
		SCALE 5:1	SHEET 1 OF 1 REV B